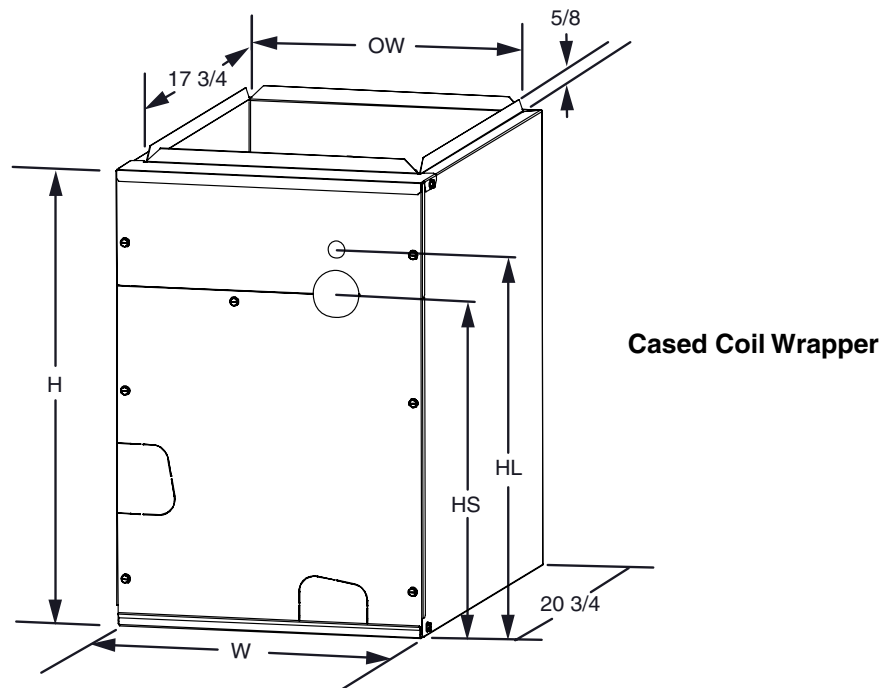
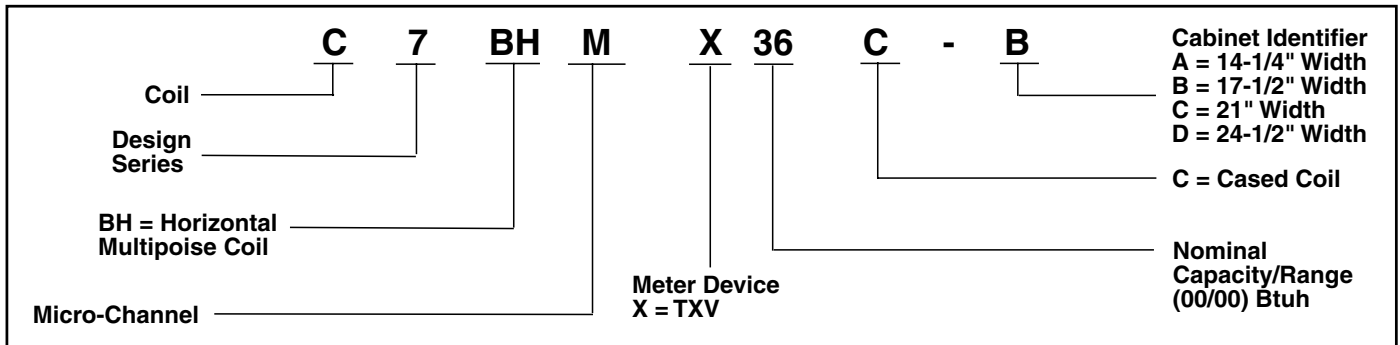


TECHNICAL SPECIFICATIONS

C7 Indoor Coils with TXV

MODEL IDENTIFICATION CODE



C7 CASED COIL WRAPPERS

SKU	Cabinet Identifier	Overall Width	Overall Height	Liquid Line Height	Suction Line Height	Opening Width
		W	H	HL	HS	OW
920256	A	14 1/4"	20 3/4"	17 1/2"	15 1/2"	12 7/8"
920257	A	14 1/4"	26 3/4"	23 1/2"	21 1/2"	12 7/8"
920258	B	17 1/2"	20 3/4"	17 1/2"	15 1/2"	16 1/8"
920259	B	17 1/2"	26 3/4"	23 1/2"	21 1/2"	16 1/8"
920260	C	21"	26 3/4"	23 1/2"	21 1/2"	19 5/8"
920261	C	21"	30 1/4"	27"	25"	19 5/8"
920262	D	24 1/2"	30 1/4"	27"	25"	23 1/8"

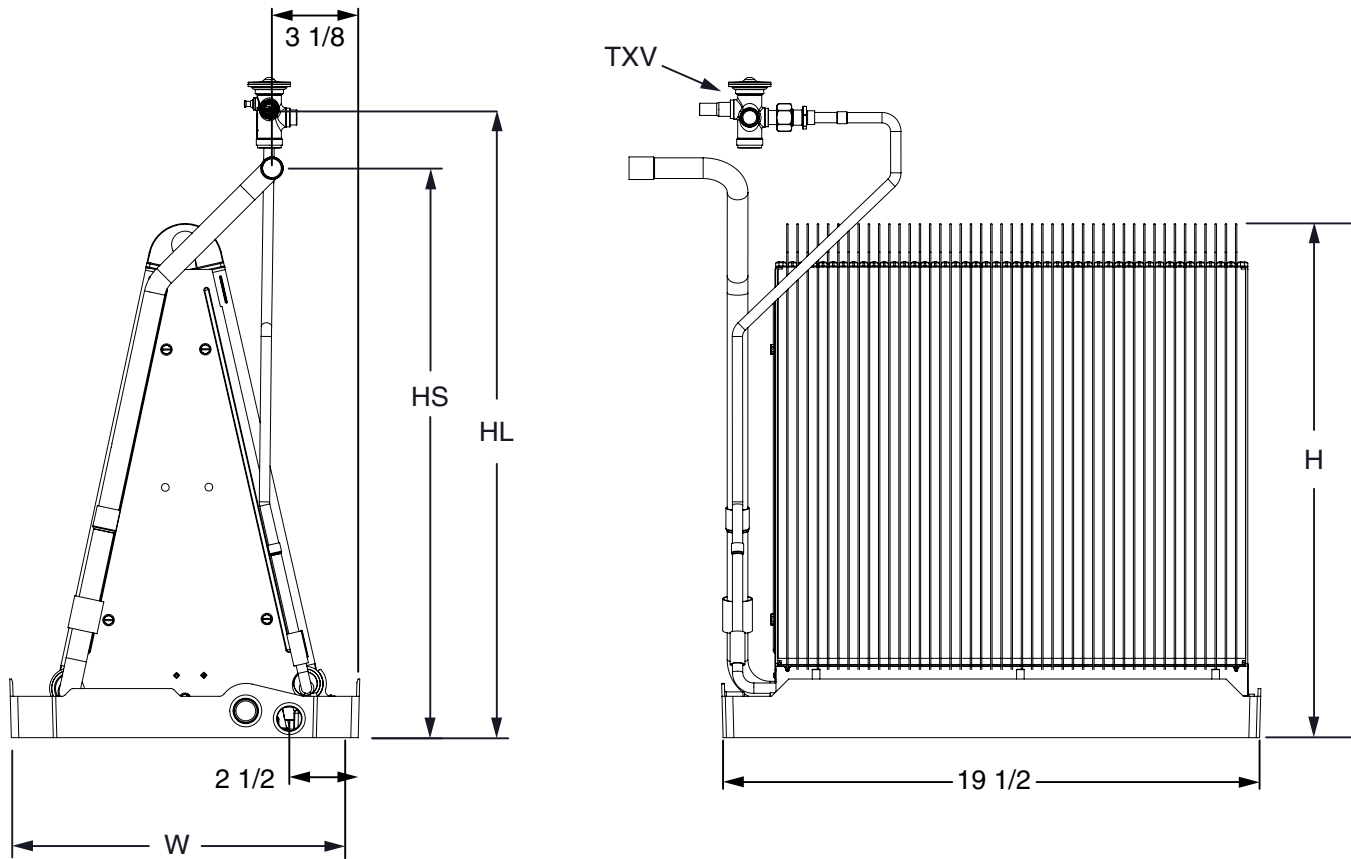


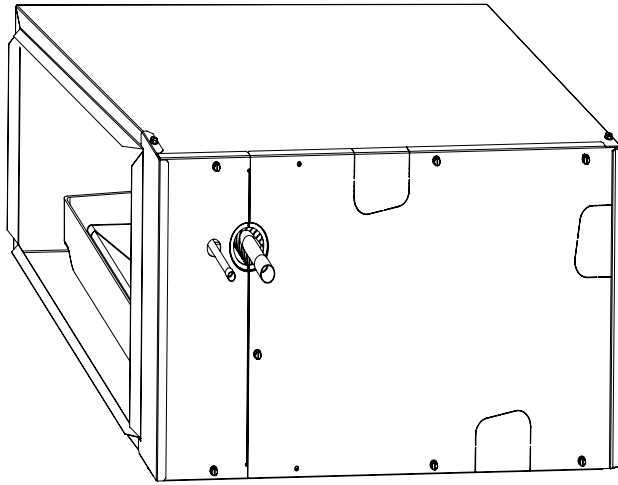
Figure 1. C7 Coil Dimensions (with TXV)

C7 Coil Specifications (TXV Only)

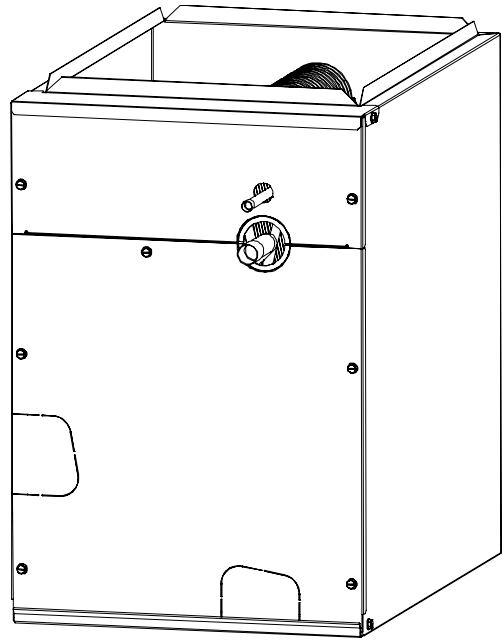
	HORIZONTAL UNITS												
	A-CABINETS			B-CABINETS			C-CABINETS				D-CABINETS		
	X24C-A	X30C-A	X36C-A	X24C-B	X30C-B	X36C-B	X30C-C	X36C-C	X42C-C	X48C-C	X60C-C	X48C-D	X60C-D
NOMINAL CAPACITY, BTUH	24,000	30,000	36,000	24,000	30,000	36,000	30,000	36,000	42,000	48,000	60,000	48,000	60,000
METERING DEVICE	TXV	TXV	TXV	TXV	TXV	TXV	TXV	TXV	TXV	TXV	TXV	TXV	TXV
NOMINAL AIRFLOW, (CFM)	800	1000	1000	800	1000	1200	1000	1200	1400	1600	2000	1600	2000
W - WIDTH (IN.)	12.75	12.75	12.75	16	16	16	19.5	19.5	19.5	19.5	19.5	23	23
H - HEIGHT (IN.)	18.5	18.5	18.5	18	18	24.5	18	24.5	24.5	24.5	28.5	27.75	27.75
HL - HEIGHT OF LIQUID LINE (IN.)	17.5	17.5	17.5	17.5	17.5	17.5	23.5	23.5	23.5	23.5	27	27	27
HS - HEIGHT OF SUCTION LINE (IN.)	15.5	15.5	15.5	15.5	15.5	15.5	21.5	21.5	21.5	21.5	25	25	25
CONNECTION - LIQUID LINE	3/8	3/8	3/8	3/8	3/8	3/8	3/8	3/8	3/8	3/8	3/8	3/8	3/8
CONNECTION - SUCTION LINE	3/4	3/4	3/4	3/4	3/4	3/4	3/4	7/8	7/8	7/8	7/8	7/8	7/8
HORIZONTAL DRAIN PAN KIT	920265	920265	920265	920265	920265	920265	920265	920266	920266	920266	920267	920267	920267

NOTES:

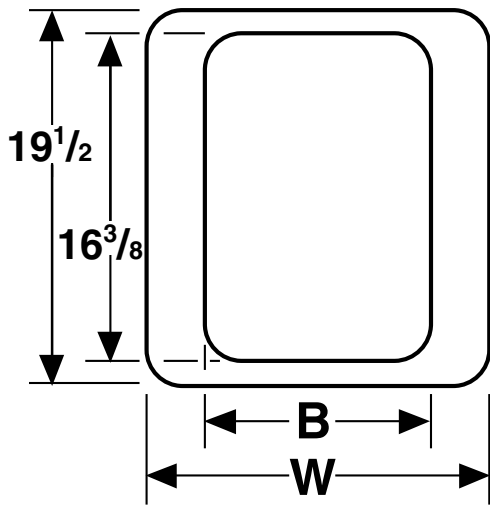
1. Refer to sales specification sheets for Listed/Certified combinations of equipment and required accessories.
2. X in the model description designates factory installed TXV for R-410a refrigerant.
3. Refer to the current AHRI Directory for certified ratings of split systems.



Horizontal Cased Coil



Cased Coil



Drain Pan—Bottom View

DRAIN PAN DIMENSIONS

Dimension	A Cabinet	B Cabinet	C Cabinet	D Cabinet
W	12 3/4	16	19 1/2	23
B	6 5/8	9 7/8	12 3/8	16 7/8

CASED COIL HEIGHT

SKU	Model Number	Cabinet SKU
922244	C7BHMx24C-A	920257
922245	C7BHMx24C-B	920259
922246	C7BHMx30C-A	920257
922247	C7BHMx30C-B	920259
922248	C7BHMx30C-C	920260
922256	C7BHMx36C-A	920257
922249	C7BHMx36C-B	920259
922250	C7BHMx36C-C	920260
922251	C7BHMx42C-C	920260
922252	C7BHMx48C-C	920260
922253	C7BHMx48C-D	920262
922254	C7BHMx60C-C	920261
922255	C7BHMx60C-D	920262



Before purchasing this appliance, read important energy cost and efficiency information available from your retailer. Specifications and illustrations subject to change without notice and without incurring obligations. Printed in U.S.A (04/2015)

188E-0415 (Replaces 188E-0714)